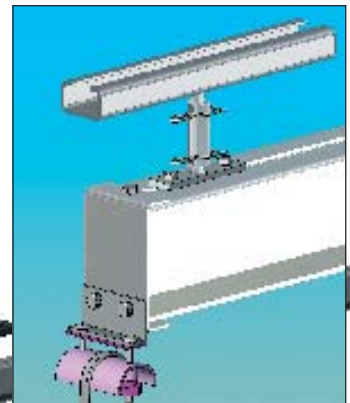
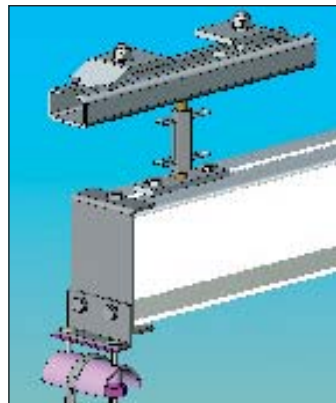


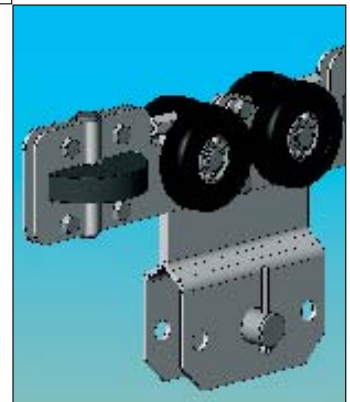
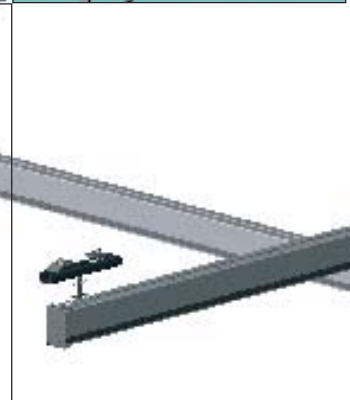
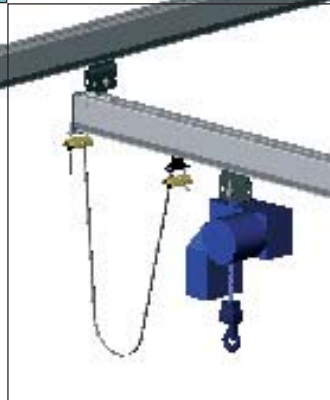
AI

PROSYSTEM®

Aluminium Light Crane System



NEW!



50–250 kg

Aluminium Light Crane System

PROSYSTEM®

Aluminium light crane system

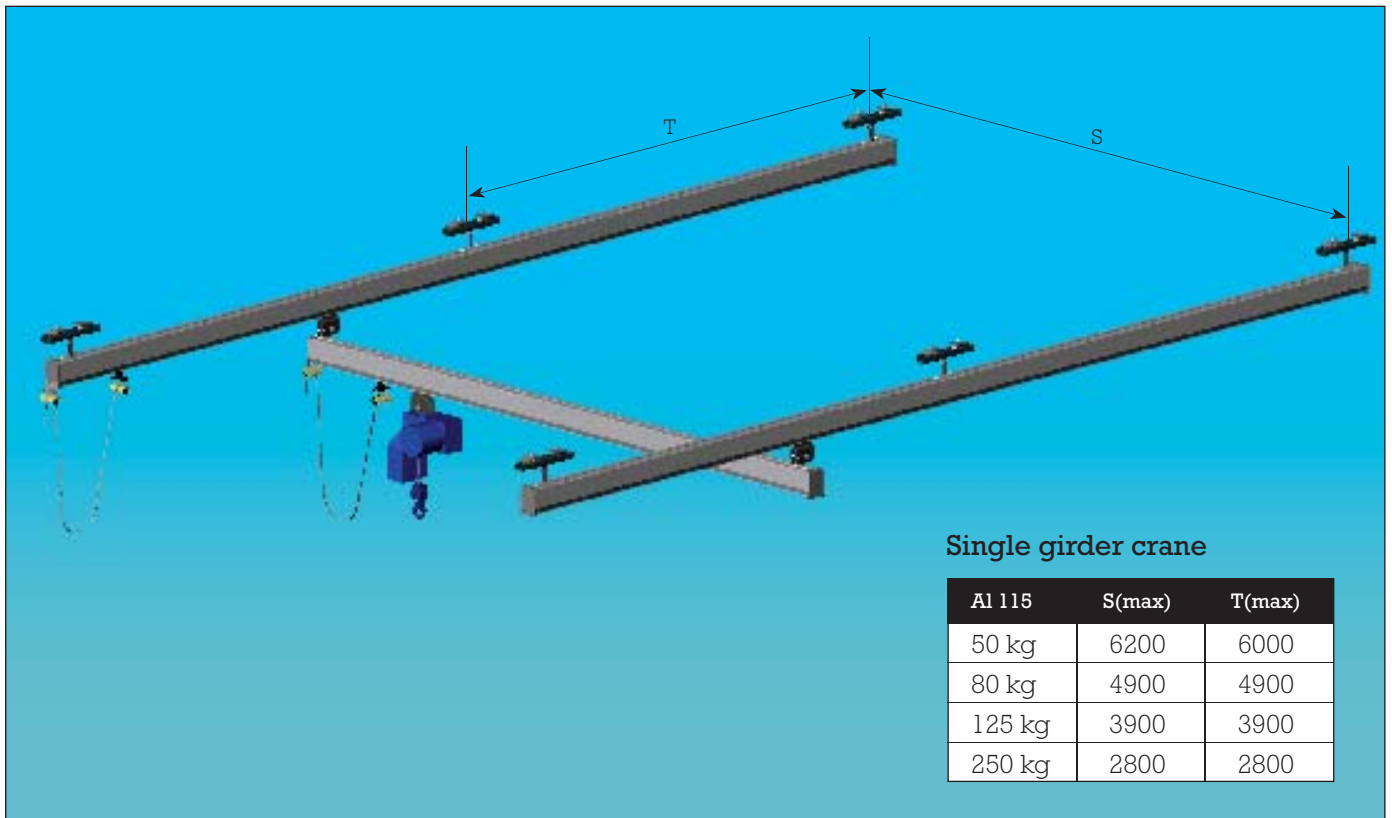
Light construction – **light to install - ergonomic.**

Of aluminium – **suitable also for food and medical industries.**

Modular system – **easy to design and install.**

Anodized – **fine finish - durable.**

Single girder crane



Enhance productivity

With the help of PROSYSTEM® aluminium system you increase the effectiveness of movements and easyness of handling light loads – you increase working efficiency, enhance productivity and increase the quality of the working environment.

PROSYSTEM® aluminium system is an excellent solution to be used with electric or manual chain hoists as well as with various balancers and lifting devices.

For all industries

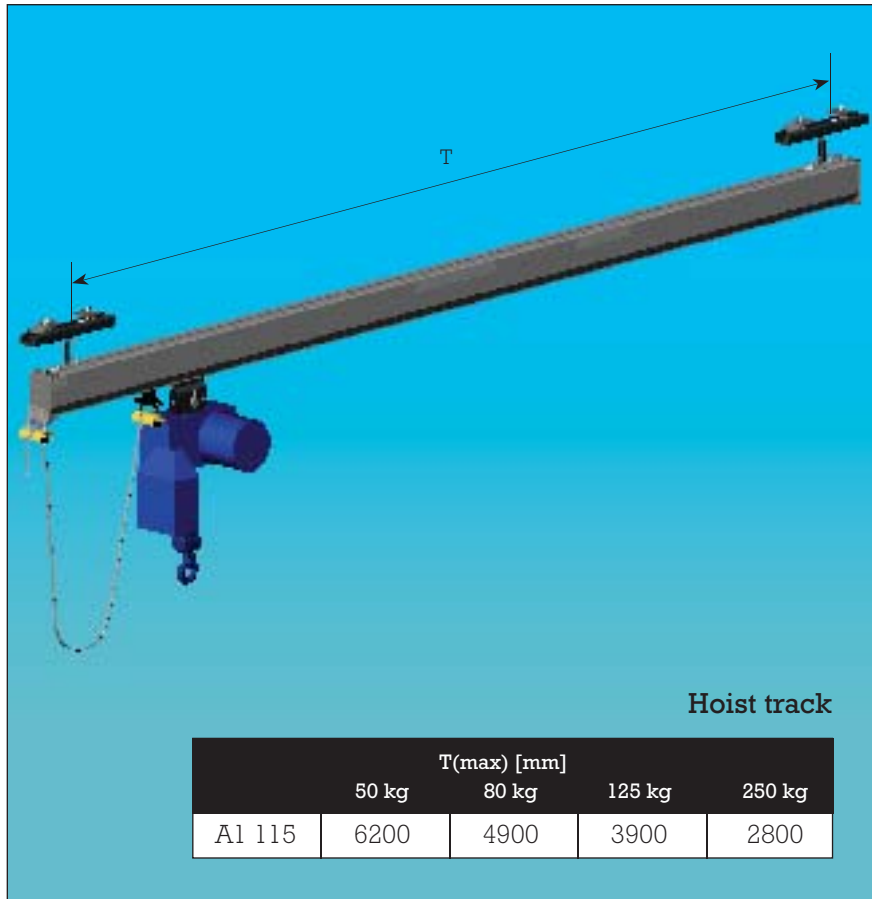
The system is based on an aluminium profile covering a load range from 50 kg to 250 kg. The system consists of crane tracks and single girder cranes, and hoist track as standard for different kind of locations and many uses. The aluminium crane system is specially suitable for the use of food and medical industries.

The construction of aluminium system is light. This way also the usage and installation are light and simple.

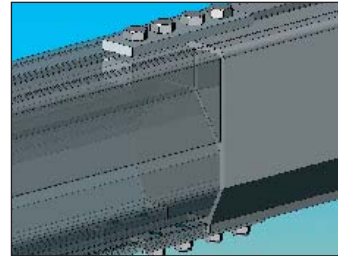
PROSYSTEM®

Aluminium light crane system

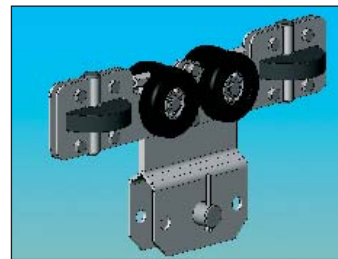
Hoist track



Joint



Push trolley

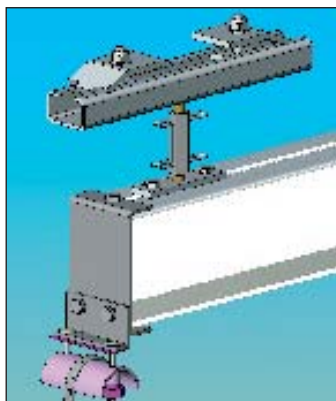


Aluminium profile 115

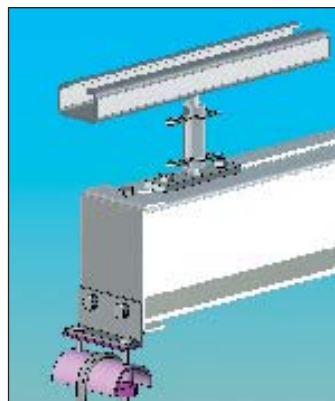


Suspensions

The articulating suspensions make PROSYSTEM® aluminium system flexible and simple to install. The system can be suspended either to ceiling or I-girder.



I-girder suspension



Ceiling suspension

Strong but light profile

Aluminium profile is extruded. The profile is also anodized, which gives the profile good protection against corrosion and a precious appearance. The anodized coat is 10–25 µm thick. The profile is designed to be strong with a light construction. The aluminium profile is delivered in lengths of 1–6 m.

Profile AL 115

Size [mm]	Weight [kg/m]	Wx [cm²]	Ix [cm⁴]
Al 115	3,9	32	207

Also available

Light Crane System



Jib Cranes



Personal Ergonomic Lifting Device



AI

PROSYSTEM[®]

Aluminium Light Crane System